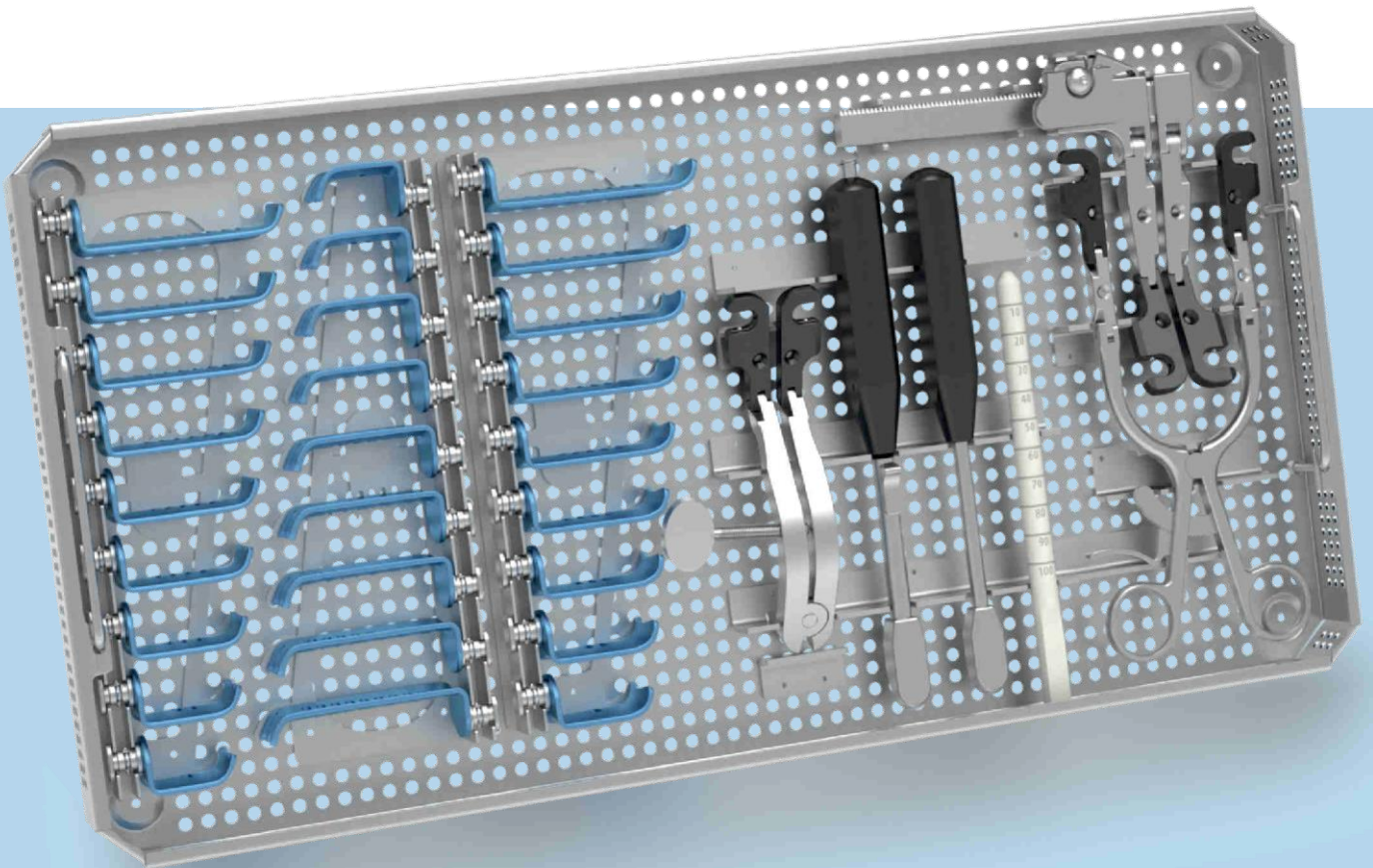


medical**bees**

CCR-Retractor System

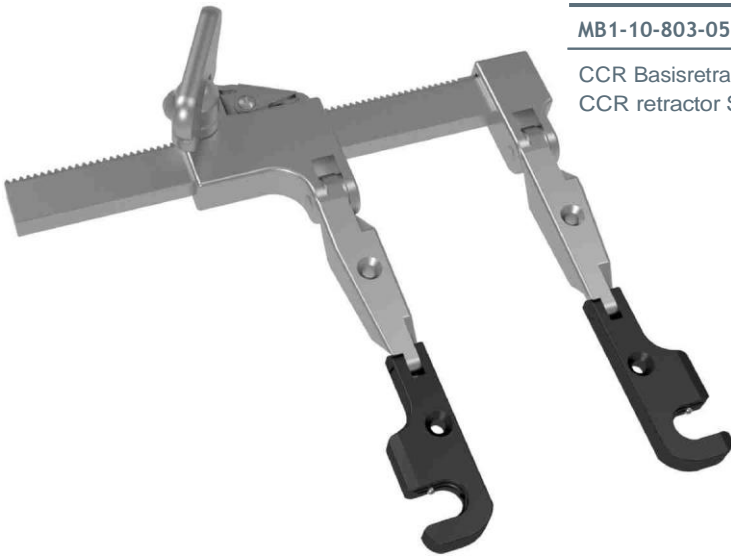
- Cervical retraction system
- Titanium color-coded, radiolucent
- Side load for optimal exposure
- Large variety of blades
- Made in Germany





MB1-10-803-05 *

CCR Basisretractor Side-Load mit Doppelgelenk, Endgelenk aus Titanium
 CCR retractor Side-Load, double hinge, distal hinge out of titanium



MB1-10-803-10 *

CCR Gegensperrer Side-load, Endgelenk aus Titanium
 CCR counter retractor Side-load, distal hinge out of titanium



MB1-10-803-15 *

CCR Basis-Gegensperrer Side Load, mit Doppelgelenk, Endgelenk aus Titanium
 CCR basic counter retractor, double hinge, distal hinge out of titanium





MB1-10-804-00 *

CCR/CLR Handgriff Side-load mit schwarzem Radelgriff
CCR/CLR handle for blades with black PPSU-handle



MB1-10-804-05 *

CCR/CLR Handgriff Side-load, kanuliert mit Luer-Lock, mit schwarzem Radelgriff
CCR/CLR handle for blades, cannulated with Luer-Lock, with black PPSU-handle



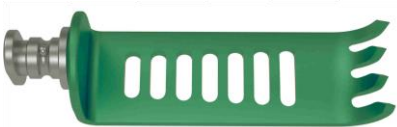
MB1-10-794-10 *

CCR/ CLR Tiefenmeßstab, natur
CCR/CLR depth gauge instrument, natural



Alle Valven ausTitanium, röntgendurchlässig mit Side-load-Mechanismus
All blades out of Titanium, radiolucent, with side-load-mechanism

	B - width
grün / green	19 mm
blau / blue	24 mm



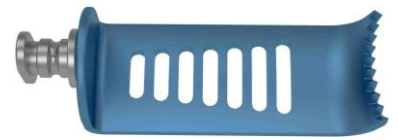
CCR-Valve 4-zahnig grün
CCR-blade green with 4 teeth

	B - width	T - depth
MB1-10-805-05	19 mm	25 mm
MB1-10-805-10	19 mm	30 mm
MB1-10-805-15	19 mm	35 mm
MB1-10-805-20	19 mm	40 mm
MB1-10-805-25	19 mm	45 mm
MB1-10-805-30	19 mm	50 mm
MB1-10-805-35	19 mm	55 mm
MB1-10-805-40	19 mm	60 mm
MB1-10-805-45	19 mm	65 mm
MB1-10-805-50	19 mm	70 mm
MB1-10-805-55	19 mm	75 mm



CCR-Valve stumpf longitudinal
CCR blade blunt longitudinal

	B - width	T - depth
MB1-10-806-05	19 mm	25 mm
MB1-10-806-10	19 mm	30 mm
MB1-10-806-15	19 mm	35 mm
MB1-10-806-20	19 mm	40 mm
MB1-10-806-25	19 mm	45 mm
MB1-10-806-30	19 mm	50 mm
MB1-10-806-35	19 mm	55 mm
MB1-10-806-40	19 mm	60 mm
MB1-10-806-45	19 mm	65 mm
MB1-10-806-50	19 mm	70 mm
MB1-10-806-55	19 mm	75 mm



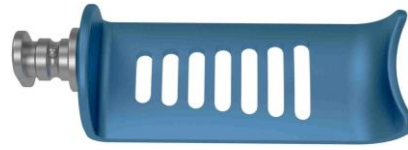
CCR - Valve, 8-zahnig lateral
CCR - Valve, 8-teeth lateral

	B - width	T - depth
MB1-10-807-05	24 mm	25 mm
MB1-10-807-10 *	24 mm	30 mm
MB1-10-807-15 *	24 mm	35 mm
MB1-10-807-20 *	24 mm	40 mm
MB1-10-807-25 *	24 mm	45 mm
MB1-10-807-30 *	24 mm	50 mm
MB1-10-807-35 *	24 mm	55 mm
MB1-10-807-40 *	24 mm	60 mm
MB1-10-807-45 *	24 mm	65 mm
MB1-10-807-50 *	24 mm	70 mm
MB1-10-807-55	24 mm	75 mm



CCR Valve, 5-zahnig medial
CCR Valve, 5 teeth, medial

	B - width	T - depth
MB1-10-808-05	24 mm	25 mm
MB1-10-808-10 *	24 mm	30 mm
MB1-10-808-15 *	24 mm	35 mm
MB1-10-808-20 *	24 mm	40 mm
MB1-10-808-25 *	24 mm	45 mm
MB1-10-808-30 *	24 mm	50 mm
MB1-10-808-35 *	24 mm	55 mm
MB1-10-808-40 *	24 mm	60 mm
MB1-10-808-45 *	24 mm	65 mm
MB1-10-808-50 *	24 mm	70 mm
MB1-10-808-55	24 mm	75 mm



CCR Valve, stumpf, longitudinal
CCR Valve, blunt longitudinal

	B - width	T - depth
MB1-10-809-05	24 mm	25 mm
MB1-10-809-10	24 mm	30 mm
MB1-10-809-15 *	24 mm	35 mm
MB1-10-809-20 *	24 mm	40 mm
MB1-10-809-25 *	24 mm	45 mm
MB1-10-809-30 *	24 mm	50 mm
MB1-10-809-35 *	24 mm	55 mm
MB1-10-809-40 *	24 mm	60 mm
MB1-10-809-45 *	24 mm	65 mm
MB1-10-809-50 *	24 mm	70 mm
MB1-10-809-55 *	24 mm	75 mm

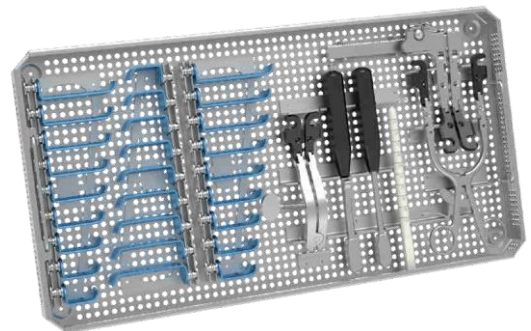
MB1-20-968-64 *

CCR-Siebkorb aus Edelstahl mit Deckel | CCR-Tray, stainless steel with lid
Maße / dimensions: 485 mm x 253 mm x 30 mm



MB1-10-803-20

CCR Set bestehend aus Produkten mit „*“ gekennzeichnet (je 1 Stück)
CCR-Set consisting of products marked „*“ (one piece each)



Änderungen der technischen Angaben und Maße liegen in unserem Ermessen. Modelländerungen vorbehalten.
Ohne unsere ausdrückliche schriftliche Genehmigung darf dieses Printmedium weder im Gesamten noch auszugsweise kopiert oder nachgedruckt werden.
Changes in technical specifications and dimensions are at our discretion. Subject to modification.
Without our explicit written approval this print media may not be copied or reprinted as a whole or in extracts.