



medical**bees**[™]
System-driven Surgery
Operieren mit System

Bohrapparate und Sägen | Drills and Saws





| | |
|---------------|----------|
| MB1-15-805-10 | 1 - 6 mm |
|---------------|----------|

Universal-Bohrfutter mit T-Griff,
Durchgangsbohrung: Ø 5.2 mm
Universal chuck with T-handle,
through hole: Ø 5.2 mm



| | |
|---------------|------------|
| MB1-15-805-20 | 0.5 - 7 mm |
|---------------|------------|

Bohrfutter mit Röhm-Futter und T-Griff, mit Schlüssel (MB1-20-310-25)
Durchgangsbohrung: Ø 6.1 mm
Chuck with Röhm-chuck and T-handle, with key (MB1-20-310-25)
through hole: Ø 6.1 mm



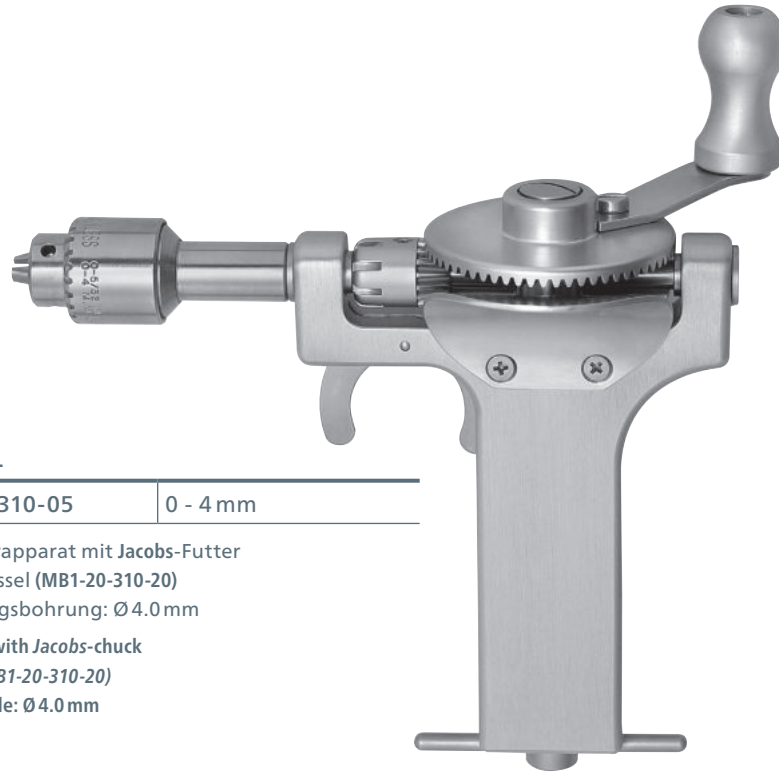
| | |
|---------------|----------|
| MB1-15-805-21 | 0 - 4 mm |
|---------------|----------|

Bohrfutter mit Jacobs-Futter und T-Griff mit Schlüssel (1-20-310-20)
Durchgangsbohrung: Ø 5.2 mm
Chuck with Jacobs-chuck and T-handle with key (1-20-310-20)
through hole: Ø 5.2 mm



| | |
|---------------|----------|
| MB1-15-805-25 | 1 - 6 mm |
|---------------|----------|

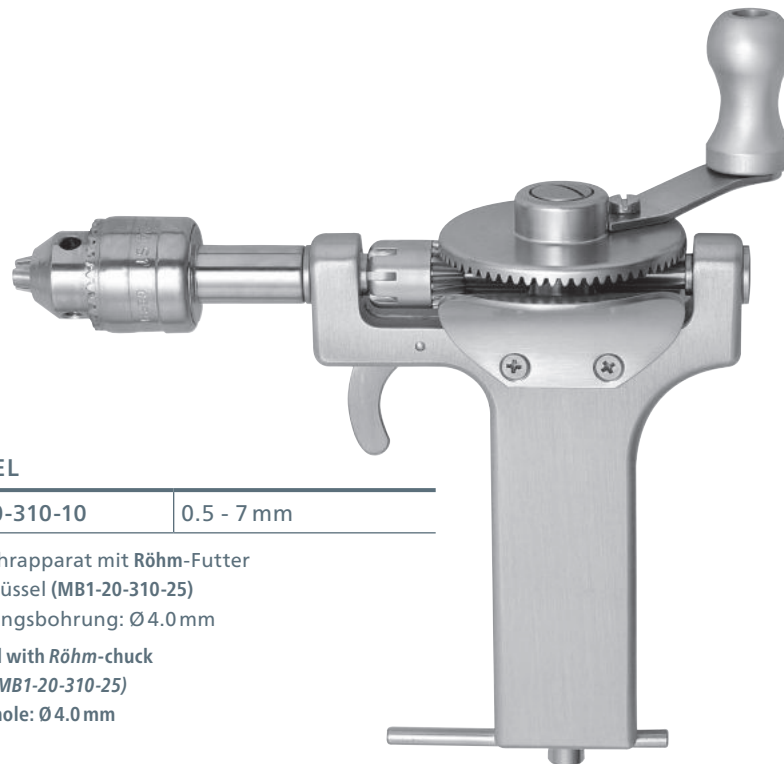
Universal-Bohrfutter mit T-Griff und Sicherung
Durchgangsbohrung: Ø 6.1 mm
Universal chuck with T-handle and reverse lock,
through hole: Ø 6.1 mm

**BUNNEL**

| | |
|---------------|----------|
| MB1-20-310-05 | 0 - 4 mm |
|---------------|----------|

Handbohrapparat mit Jacobs-Futter
und Schlüssel (MB1-20-310-20)
Durchgangsbohrung: Ø4.0 mm

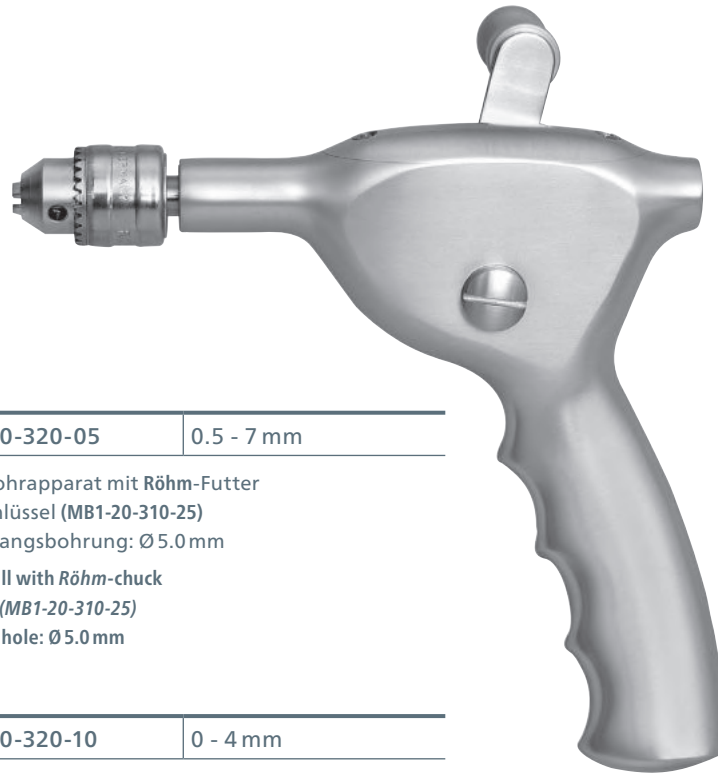
Hand drill with *Jacobs*-chuck
and key (MB1-20-310-20)
through hole: Ø4.0 mm

**BUNNEL**

| | |
|---------------|------------|
| MB1-20-310-10 | 0.5 - 7 mm |
|---------------|------------|

Handbohrapparat mit Röhm-Futter
und Schlüssel (MB1-20-310-25)
Durchgangsbohrung: Ø4.0 mm

Hand drill with *Röhm*-chuck
and key (MB1-20-310-25)
through hole: Ø4.0 mm



RALK

| | |
|---------------|------------|
| MB1-20-320-05 | 0.5 - 7 mm |
|---------------|------------|

Handbohrapparat mit Röhm-Futter und Schlüssel (MB1-20-310-25)
Durchgangsbohrung: Ø 5.0 mm

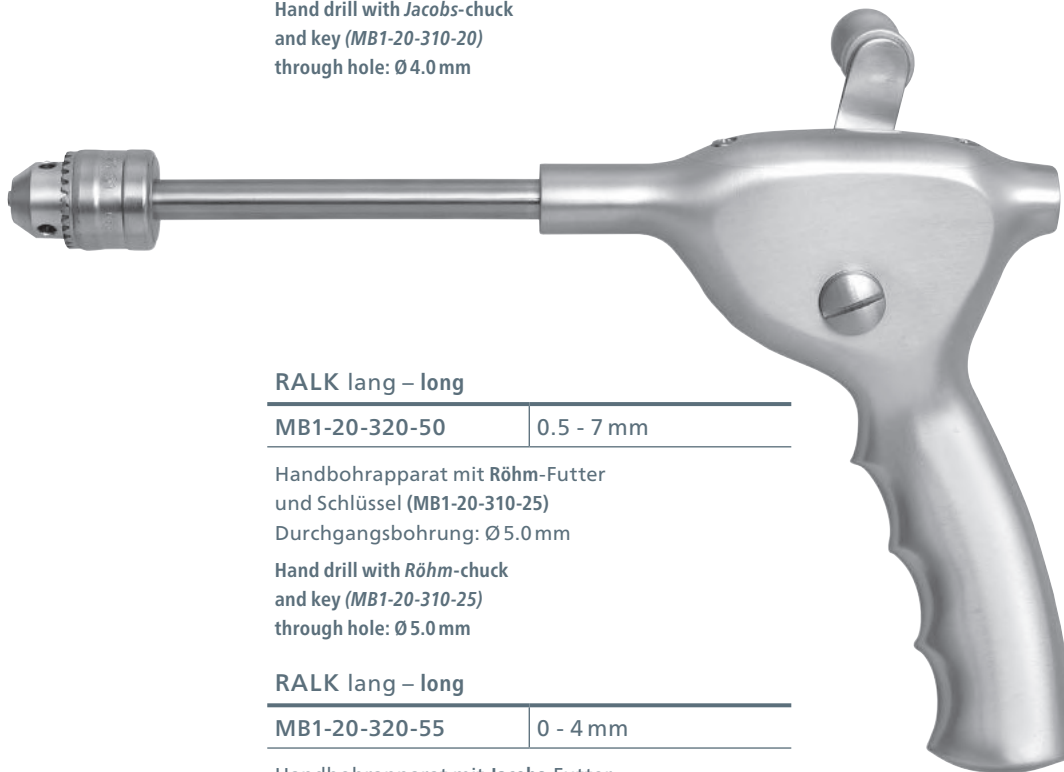
Hand drill with Röhm-chuck and key (MB1-20-310-25)
through hole: Ø 5.0 mm

RALK

| | |
|---------------|----------|
| MB1-20-320-10 | 0 - 4 mm |
|---------------|----------|

Handbohrapparat mit Jacobs-Futter und Schlüssel (MB1-20-310-20)
Durchgangsbohrung: Ø 4.0 mm

Hand drill with Jacobs-chuck and key (MB1-20-310-20)
through hole: Ø 4.0 mm



RALK lang – long

| | |
|---------------|------------|
| MB1-20-320-50 | 0.5 - 7 mm |
|---------------|------------|

Handbohrapparat mit Röhm-Futter und Schlüssel (MB1-20-310-25)
Durchgangsbohrung: Ø 5.0 mm

Hand drill with Röhm-chuck and key (MB1-20-310-25)
through hole: Ø 5.0 mm

RALK lang – long

| | |
|---------------|----------|
| MB1-20-320-55 | 0 - 4 mm |
|---------------|----------|

Handbohrapparat mit Jacobs-Futter und Schlüssel (MB1-20-310-20)
Durchgangsbohrung: Ø 4.0 mm

Hand drill with Jacobs-chuck and key (MB1-20-310-20)
through hole: Ø 4.0 mm



GIGLI

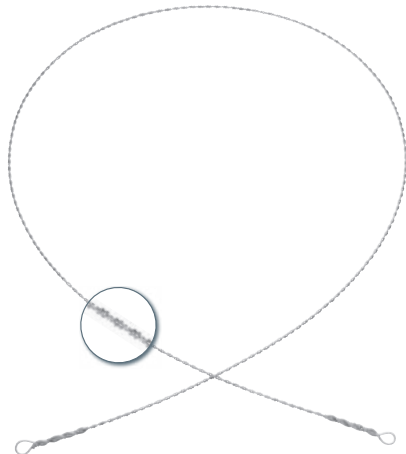
MB1-20-180-05

Handgriff für Drahtsägen, 1 Stück
Hook handle for wire saws, 1 piece



MB1-20-180-03

Handgriff zur GIGLI Säge mit Schlaufengriff, 1 Stück
Hook handle with loop design for wire saws, 1 piece



OLIVECRONA / GIGLI

| | A | Ø |
|---------------|---------------|---------|
| MB1-20-155-05 | 300 mm – 12" | 1.20 mm |
| MB1-20-155-10 | 400 mm – 16" | 1.20 mm |
| MB1-20-155-15 | 500 mm – 20" | 1.20 mm |
| MB1-20-155-20 | 600 mm – 24" | 1.20 mm |
| MB1-20-155-25 | 700 mm – 27½" | 1.20 mm |

Drahtsägen
Wire saws

| | |
|----------------------|--------|
| MB1-20-180-10 | 330 mm |
|----------------------|--------|

Einführungsinstrument für Drahtsägen
Conductor for wire saws

OLIVECRONA / GIGLI

| | A | Ø |
|---------------|---------------|---------|
| MB1-20-160-05 | 300 mm – 12" | 1.40 mm |
| MB1-20-160-10 | 400 mm – 16" | 1.40 mm |
| MB1-20-160-15 | 500 mm – 20" | 1.40 mm |
| MB1-20-160-20 | 600 mm – 24" | 1.40 mm |
| MB1-20-160-25 | 700 mm – 27½" | 1.40 mm |

Drahtsägen
Wire saws

