

medical**bees**
System-driven Surgery
Operieren mit System

Rippenspreizer | Rib Spreaders





BAILEY

MB1-10-700-06

180 mm – 7"

A = 19 mm

BAILEY GIBBON

MB1-10-700-11

180 mm – 7"

A = 29 mm

**BAILEY PEDIATRIC
BABY**

MB1-10-701-10

140 mm – 5 ½ "

A = 18 mm



LEMMON STERNAL

MB1-10-701-18

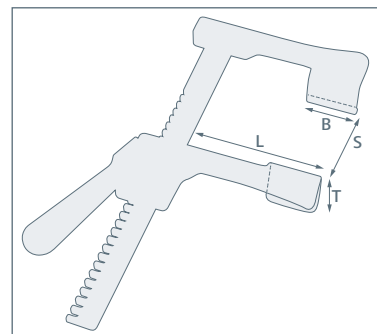
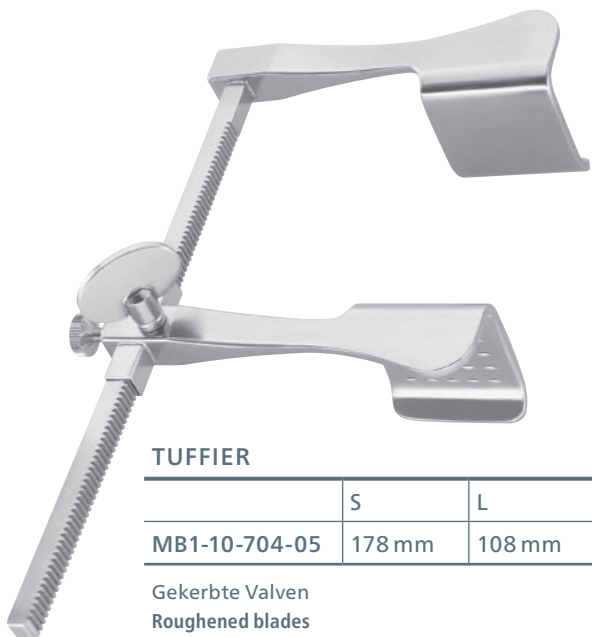
145 mm – 5 ¾ "

Spreizer für Kinder
Retractor for children

MB1-10-701-20

180 mm – 7"

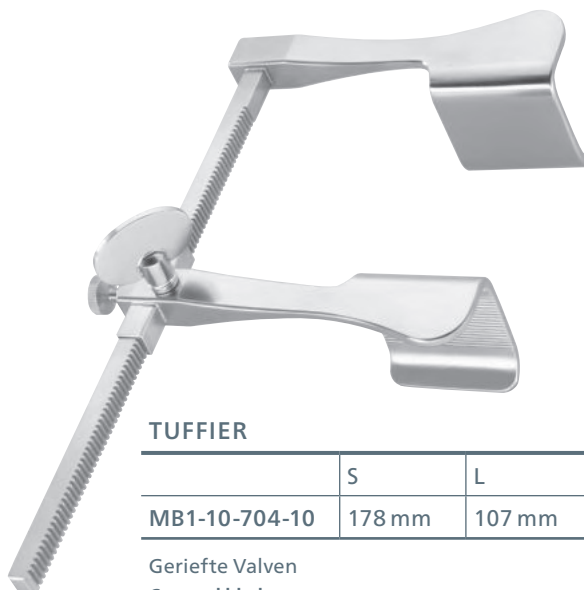
Groß
Large



TUFFIER

| | S | L | B | T |
|---------------|--------|--------|-------|-------|
| MB1-10-704-05 | 178 mm | 108 mm | 45 mm | 48 mm |

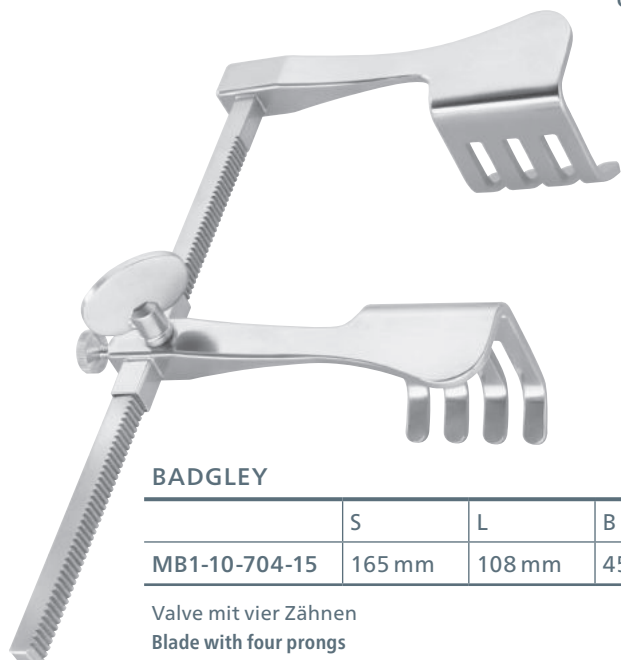
Gekerbte Valven
Roughened blades



TUFFIER

| | S | L | B | T |
|---------------|--------|--------|-------|-------|
| MB1-10-704-10 | 178 mm | 107 mm | 45 mm | 48 mm |

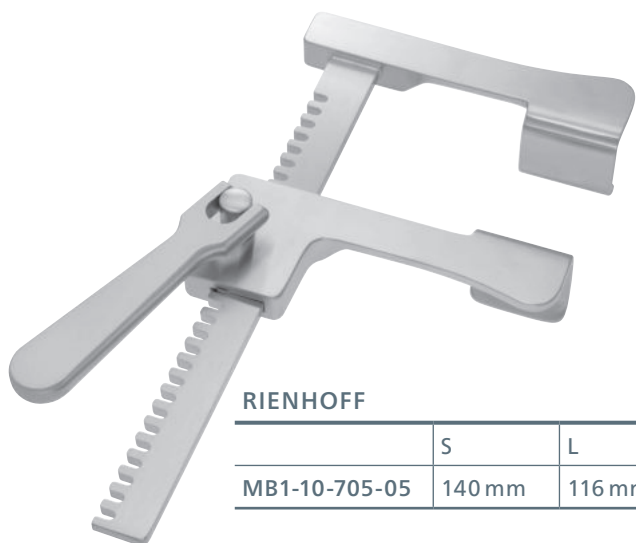
Geriefte Valven
Grooved blades



BADGLEY

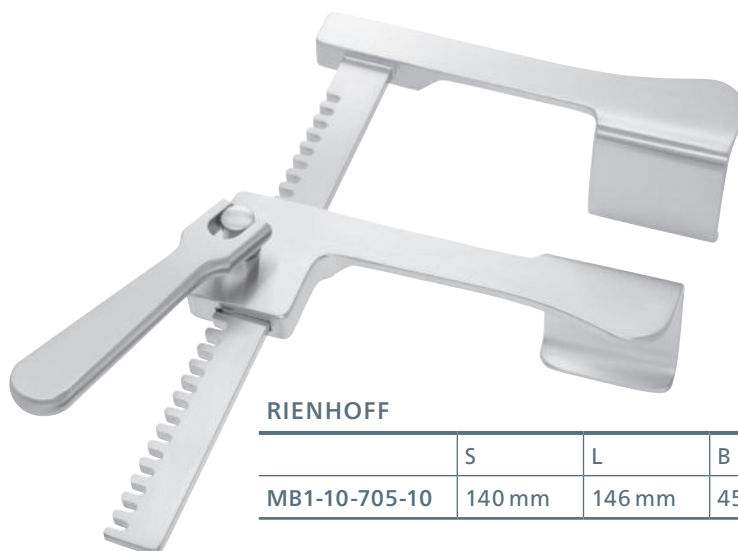
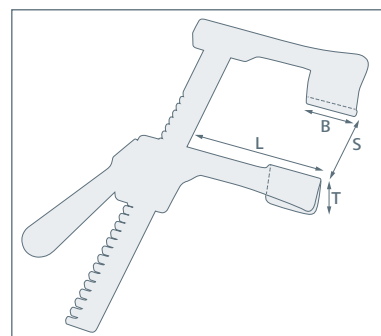
| | S | L | B | T |
|---------------|--------|--------|-------|-------|
| MB1-10-704-15 | 165 mm | 108 mm | 45 mm | 50 mm |

Valve mit vier Zähnen
Blade with four prongs



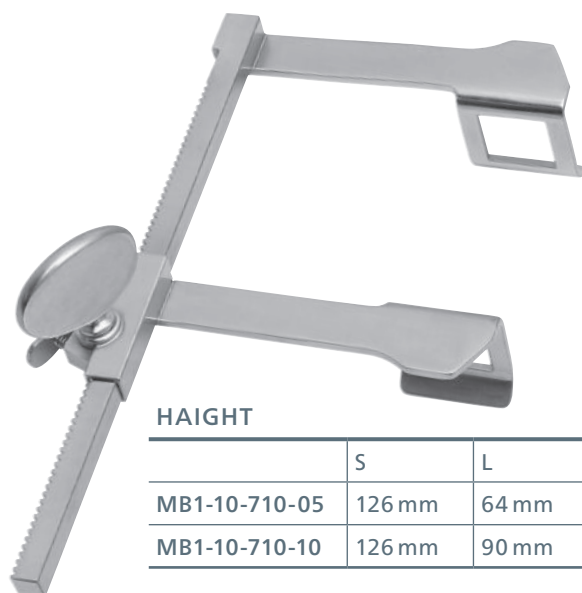
RIENHOFF

| | S | L | B | T |
|---------------|--------|--------|-------|-------|
| MB1-10-705-05 | 140 mm | 116 mm | 33 mm | 30 mm |



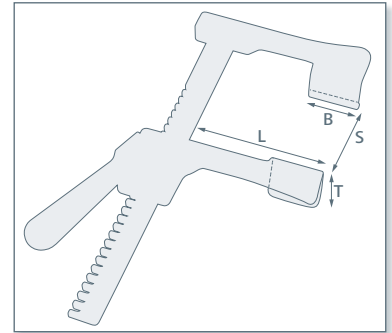
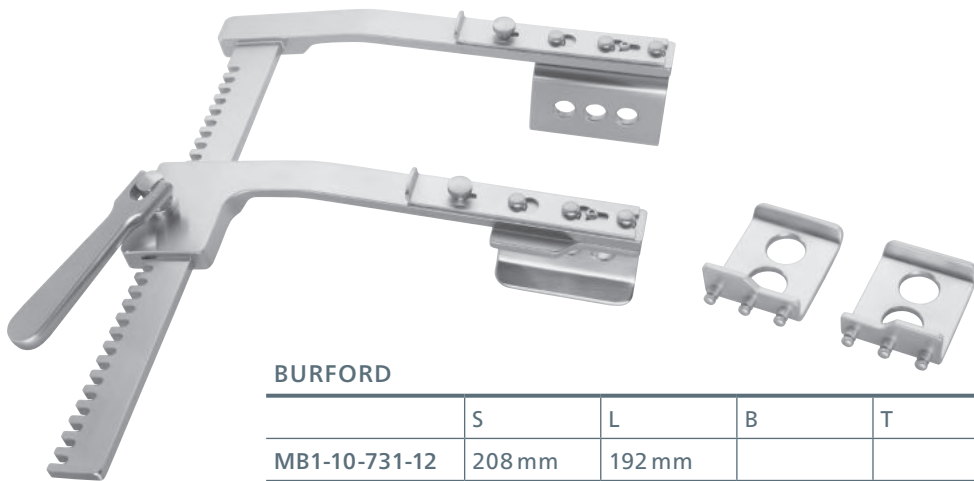
RIENHOFF

| | S | L | B | T |
|---------------|--------|--------|-------|-------|
| MB1-10-705-10 | 140 mm | 146 mm | 45 mm | 47 mm |



HAIGHT

| | S | L | B | T |
|---------------|--------|-------|-------|-------|
| MB1-10-710-05 | 126 mm | 64 mm | 31 mm | 32 mm |
| MB1-10-710-10 | 126 mm | 90 mm | 31 mm | 32 mm |



BURFORD

| | S | L | B | T |
|---------------|--------|--------|---|---|
| MB1-10-731-12 | 208 mm | 192 mm | | |

Inklusive je 1 Paar Seitenvälven
Including 1 pair each of blades

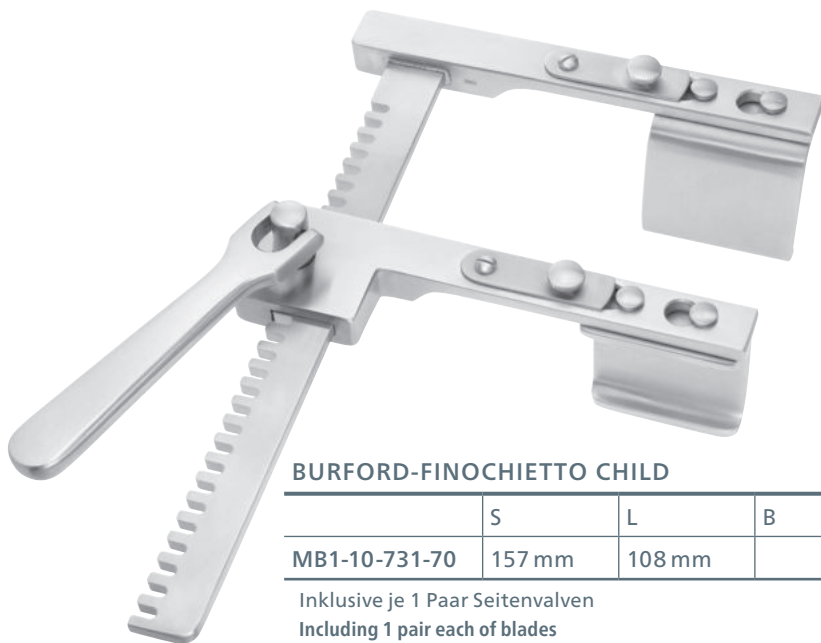
| | | | | |
|---------------|--|--|-------|-------|
| MB1-10-731-41 | | | 65 mm | 77 mm |
| MB1-10-731-51 | | | 65 mm | 46 mm |

BURFORD

| | S | L | B | T |
|---------------|--------|--------|---|---|
| MB1-10-734-05 | 200 mm | 205 mm | | |

Inklusive je 1 Paar gelochter Seitenvälven, schräg, mit 2 Spitzen
Including 1 pair each of perforated blades, inclined, with 2 spikes

| | | | | |
|---------------|--|--|-------|-------|
| MB1-10-734-50 | | | 64 mm | 65 mm |
| MB1-10-734-60 | | | 64 mm | 80 mm |



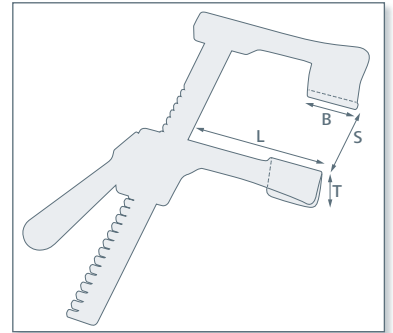
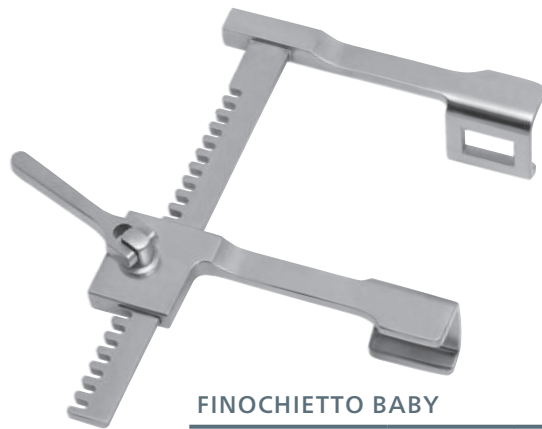
BURFORD-FINOCHIETTO CHILD

| | S | L | B | T |
|---------------|--------|--------|---|---|
| MB1-10-731-70 | 157 mm | 108 mm | | |

Inklusive je 1 Paar Seitenvälven
Including 1 pair each of blades

| | | | | |
|---------------|--|--|-------|-------|
| MB1-10-731-80 | | | 44 mm | 47 mm |
| MB1-10-731-85 | | | 45 mm | 31 mm |
| MB1-10-731-90 | | | 33 mm | 30 mm |
| MB1-10-731-95 | | | 23 mm | 22 mm |





FINOCHIETTO BABY

| | S | L | B | T |
|---------------|-------|-------|-------|-------|
| MB1-10-715-01 | 55 mm | 51 mm | 15 mm | 13 mm |
| MB1-10-715-03 | 75 mm | 51 mm | 15 mm | 13 mm |
| MB1-10-715-05 | 80 mm | 60 mm | 21 mm | 18 mm |

Gerade Seitenarme
Straight arms

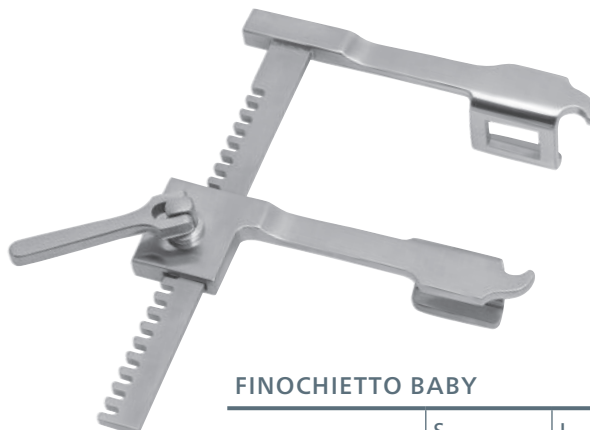
| | S | L | B | T |
|---------------|-------|-------|-------|-------|
| MB1-10-715-07 | 80 mm | 60 mm | 21 mm | 18 mm |

Gebogene Seitenarme
Curved arms

FINOCHIETTO CHILD

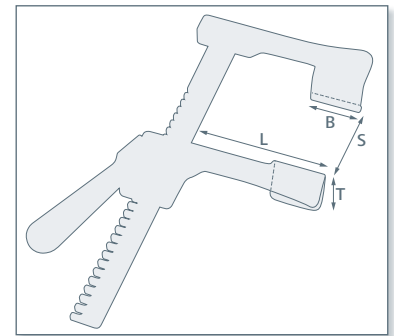
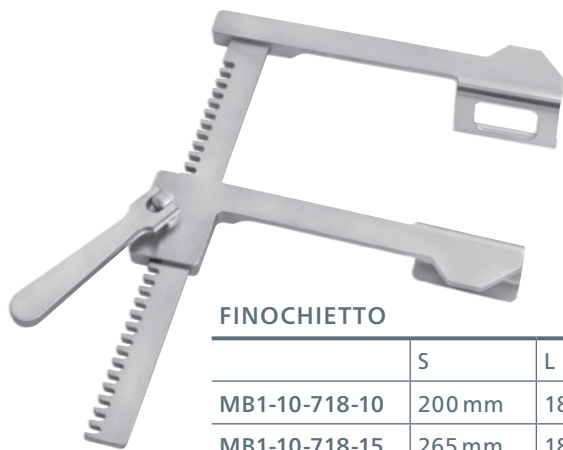
| | S | L | B | T |
|---------------|--------|--------|-------|-------|
| MB1-10-717-50 | 150 mm | 111 mm | 32 mm | 28 mm |

Gebogene Seitenarme, mit rundem Fenster
Curved arms, with circular fenestration



FINOCHIETTO BABY

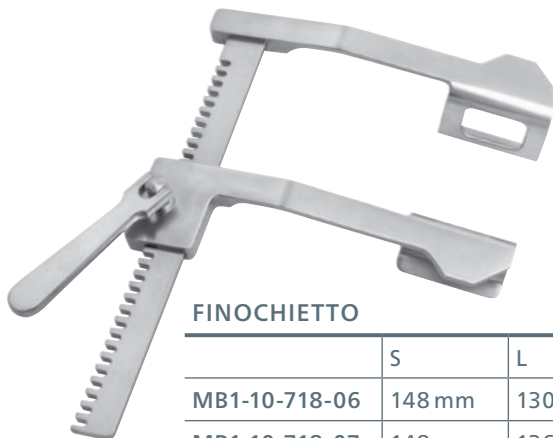
| | S | L | B | T |
|---------------|-------|-------|-------|-------|
| MB1-10-717-05 | 80 mm | 68 mm | 21 mm | 19 mm |



FINOCHIETTO

| | S | L | B | T |
|---------------|--------|--------|-------|-------|
| MB1-10-718-10 | 200 mm | 186 mm | 66 mm | 51 mm |
| MB1-10-718-15 | 265 mm | 186 mm | 66 mm | 51 mm |
| MB1-10-718-20 | 310 mm | 186 mm | 66 mm | 51 mm |

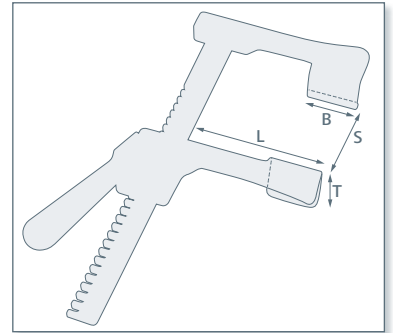
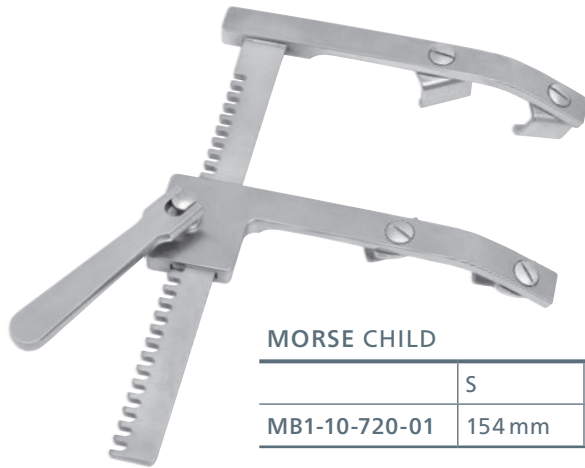
Gerade Seitenarme
Straight arms



FINOCHIETTO

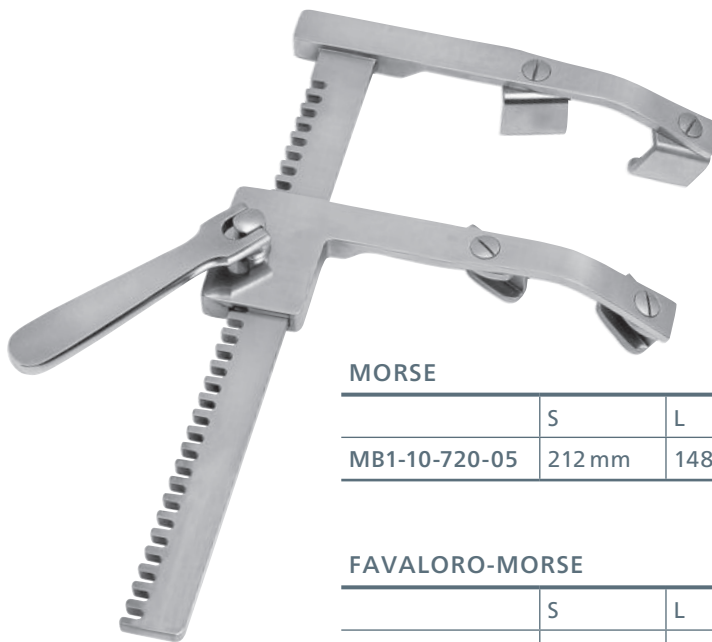
| | S | L | B | T |
|---------------|--------|--------|-------|-------|
| MB1-10-718-06 | 148 mm | 130 mm | 45 mm | 40 mm |
| MB1-10-718-07 | 148 mm | 136 mm | 45 mm | 40 mm |
| MB1-10-718-50 | 200 mm | 162 mm | 65 mm | 50 mm |
| MB1-10-718-60 | 200 mm | 130 mm | 65 mm | 50 mm |
| MB1-10-718-25 | 200 mm | 180 mm | 65 mm | 50 mm |
| MB1-10-718-55 | 220 mm | 180 mm | 65 mm | 70 mm |
| MB1-10-718-57 | 250 mm | 180 mm | 65 mm | 70 mm |
| MB1-10-718-30 | 265 mm | 180 mm | 65 mm | 50 mm |
| MB1-10-718-35 | 310 mm | 180 mm | 65 mm | 50 mm |

Gebogene Seitenarme
Curved arms



MORSE CHILD

| | S | L | B | T |
|---------------|--------|--------|-------|-------|
| MB1-10-720-01 | 154 mm | 125 mm | 22 mm | 15 mm |



MORSE

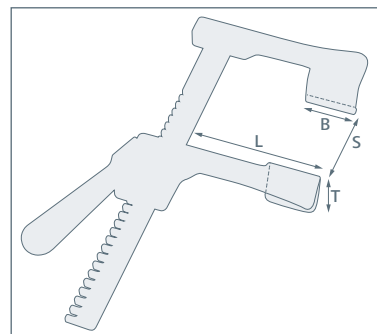
| | S | L | B | T |
|---------------|--------|--------|-------|-------|
| MB1-10-720-05 | 212 mm | 148 mm | 29 mm | 23 mm |

FAVALORO-MORSE

| | S | L | B | T |
|---------------|--------|--------|-------|-------|
| MB1-10-720-10 | 212 mm | 148 mm | 29 mm | 38 mm |
| MB1-10-720-15 | 212 mm | 205 mm | 29 mm | 38 mm |

PACIFICO-MORSE

| | S | L | B | T |
|---------------|--------|--------|----------------|----------------|
| MB1-10-720-20 | 170 mm | 148 mm | 29 mm 29 mm | 23 mm 34 mm |



DE BAKEY ORIGINAL

| | S | L | B | T |
|---------------|--------|--------|---|---|
| MB1-10-722-00 | 192 mm | 153 mm | | |

Inklusive je 1 Paar Seitenvalven
Including 1 pair each of blades

| | | | | |
|---------------|--|--|-------|-------|
| MB1-10-722-10 | | | 30 mm | 30 mm |
| MB1-10-722-15 | | | 40 mm | 40 mm |
| MB1-10-722-20 | | | 50 mm | 50 mm |

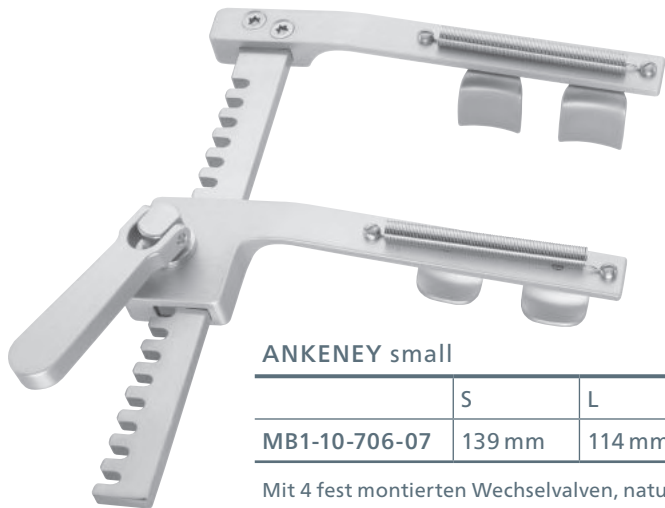


DE BAKEY ORIGINAL

| | S | L | B | T |
|---------------|--------|--------|---|---|
| MB1-10-724-00 | 240 mm | 170 mm | | |

Inklusive je 1 Paar Seitenvalven
Including 1 pair each of blades

| | | | | |
|---------------|--|--|--------|-------|
| MB1-10-724-10 | | | 60 mm | 60 mm |
| MB1-10-724-15 | | | 80 mm | 50 mm |
| MB1-10-724-20 | | | 100 mm | 40 mm |



ANKENEY small

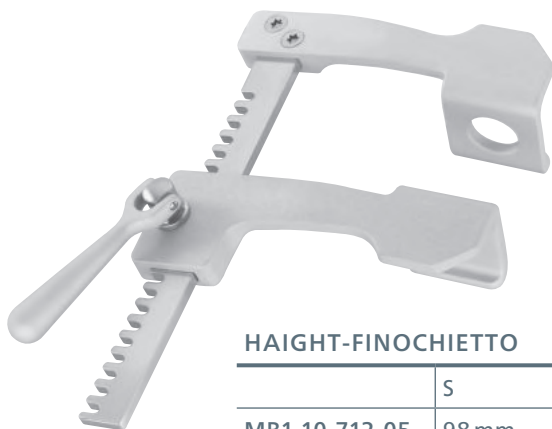
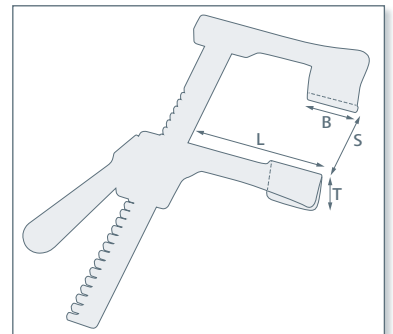
| | S | L | B | T |
|---------------|--------|--------|-------|-------|
| MB1-10-706-07 | 139 mm | 114 mm | 19 mm | 23 mm |

Mit 4 fest montierten Wechselvalven, natur eloxiertes Aluminium
 With 4 fixed swivel blades, clear anodized aluminium

ANKENEY large

| | S | L | B | T |
|---------------|--------|--------|-------|-------|
| MB1-10-706-12 | 195 mm | 289 mm | 35 mm | 35 mm |

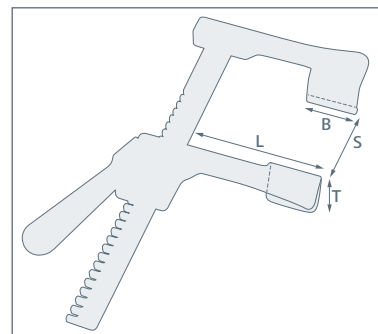
Mit 6 drehbaren Valven
 With 6 swivel blades



HAIGHT-FINOCHIETTO

| | S | L | B | T |
|---------------|-------|-------|-------|-------|
| MB1-10-712-05 | 98 mm | 76 mm | 31 mm | 31 mm |

Natur eloxiertes Aluminium
 Clear anodized aluminium

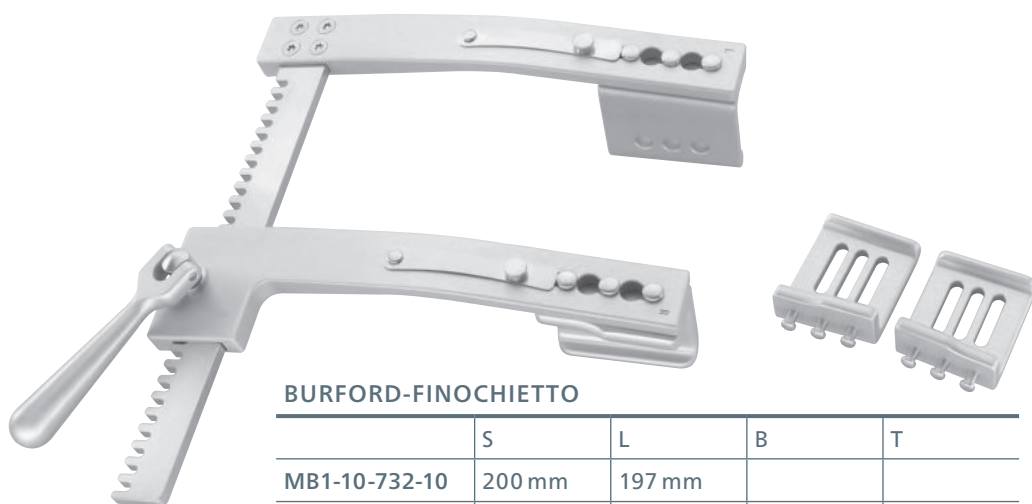
**BURFORD-FINOCHIETTO**

| | S | L | B | T |
|---------------|--------|--------|---|---|
| MB1-10-732-05 | 135 mm | 113 mm | | |

Inklusive je 1 Paar Seitenvälvén
Including 1 pair each of blades

| | | | | |
|---------------|--|--|-------|-------|
| MB1-10-732-30 | | | 42 mm | 34 mm |
| MB1-10-732-40 | | | 42 mm | 48 mm |

natur eloxiertes Aluminium
clear anodized aluminium

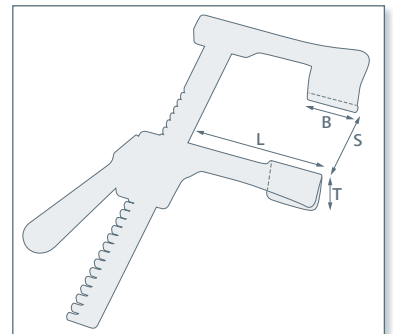
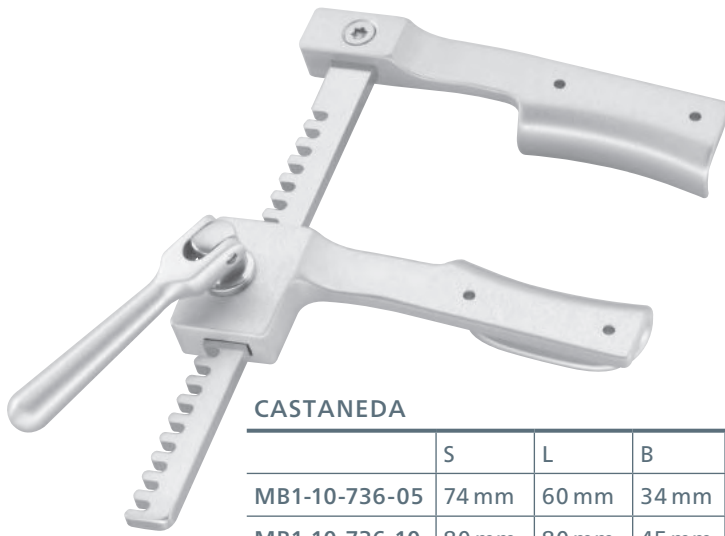
**BURFORD-FINOCHIETTO**

| | S | L | B | T |
|---------------|--------|--------|---|---|
| MB1-10-732-10 | 200 mm | 197 mm | | |
| MB1-10-732-15 | 288 mm | 197 mm | | |
| MB1-10-732-20 | 330 mm | 197 mm | | |

Inklusive je 1 Paar Seitenvälvén
Including 1 pair each of blades

| | | | | |
|---------------|--|--|-------|-------|
| MB1-10-732-50 | | | 62 mm | 47 mm |
| MB1-10-732-60 | | | 62 mm | 65 mm |

natur eloxiertes Aluminium
clear anodized aluminium



CASTANEDA

| | S | L | B | T |
|---------------|--------|--------|-------|---------|
| MB1-10-736-05 | 74 mm | 60 mm | 34 mm | 11 mm |
| MB1-10-736-10 | 80 mm | 80 mm | 45 mm | 13 mm |
| MB1-10-736-15 | 110 mm | 126 mm | 60 mm | 17.5 mm |



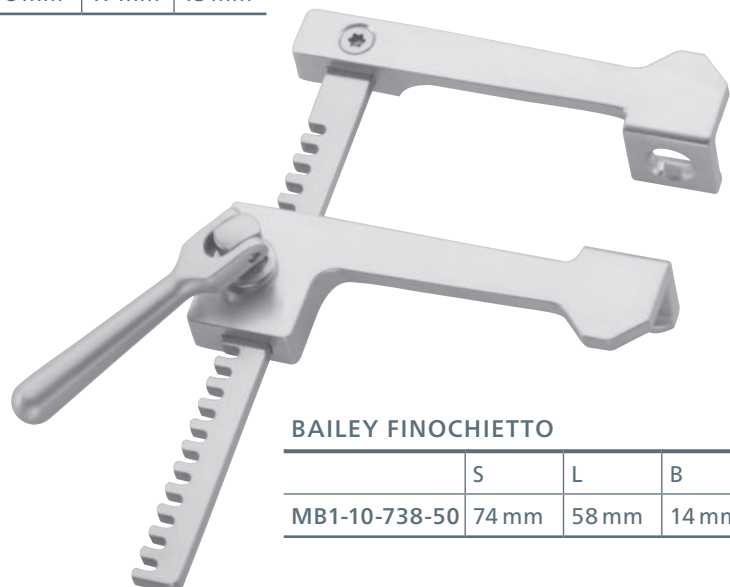
COOLEY CHILD

| | S | L | B | T |
|---------------|--------|-------|-------|-------|
| MB1-10-738-05 | 74 mm | 58 mm | 17 mm | 11 mm |
| MB1-10-738-10 | 101 mm | 80 mm | 30 mm | 17 mm |
| MB1-10-738-15 | 74 mm | 58 mm | 17 mm | 13 mm |



COOLEY CHILD

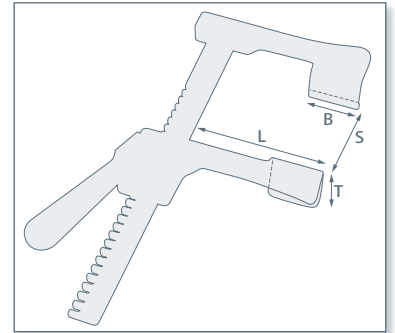
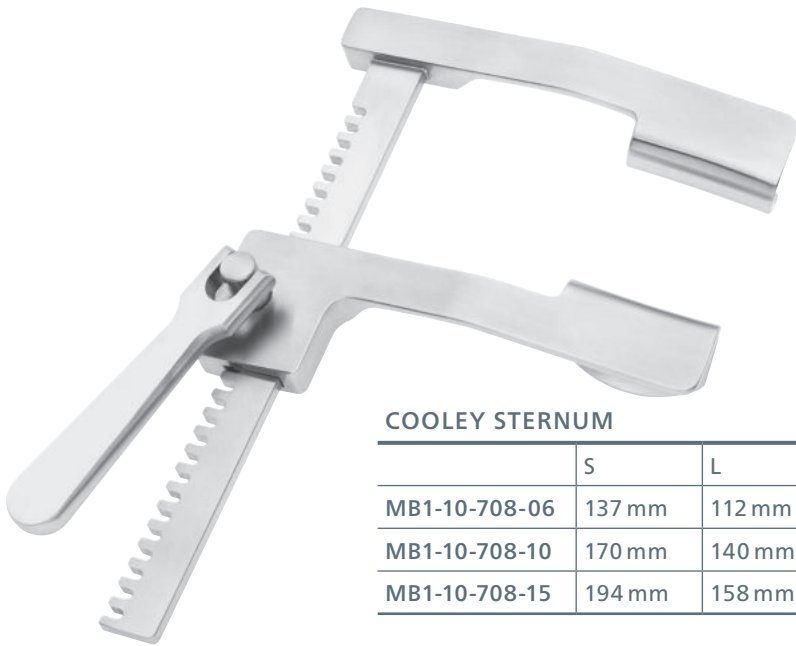
| | S | L | B | T |
|---------------|-------|-------|---------|-------|
| MB1-10-738-20 | 97 mm | 77 mm | 20.5 mm | 17 mm |



BAILEY FINOCHIETTO

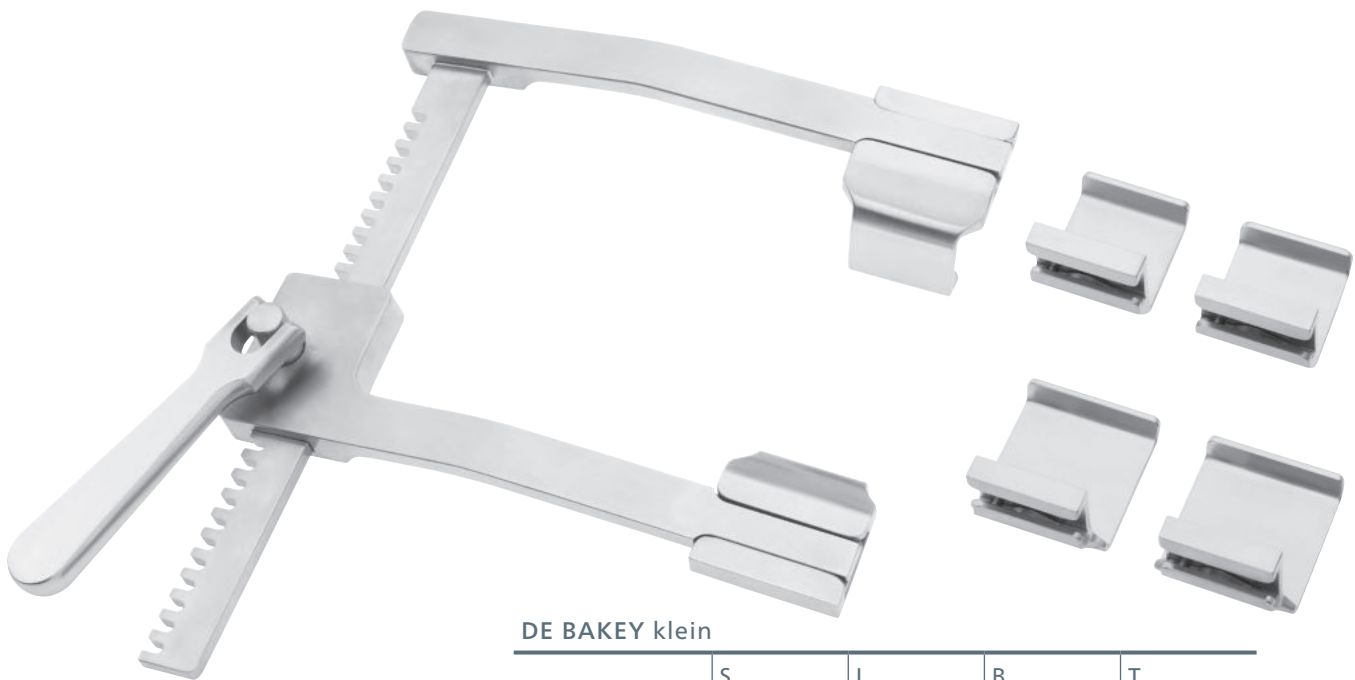
| | S | L | B | T |
|---------------|-------|-------|-------|-------|
| MB1-10-738-50 | 74 mm | 58 mm | 14 mm | 12 mm |

natur eloxiertes Aluminium
clear anodized aluminium



COOLEY STERNUM

| | S | L | B | T |
|---------------|--------|--------|--------|-------|
| MB1-10-708-06 | 137 mm | 112 mm | 46 mm | 25 mm |
| MB1-10-708-10 | 170 mm | 140 mm | 52 mm | 34 mm |
| MB1-10-708-15 | 194 mm | 158 mm | 102 mm | 29 mm |

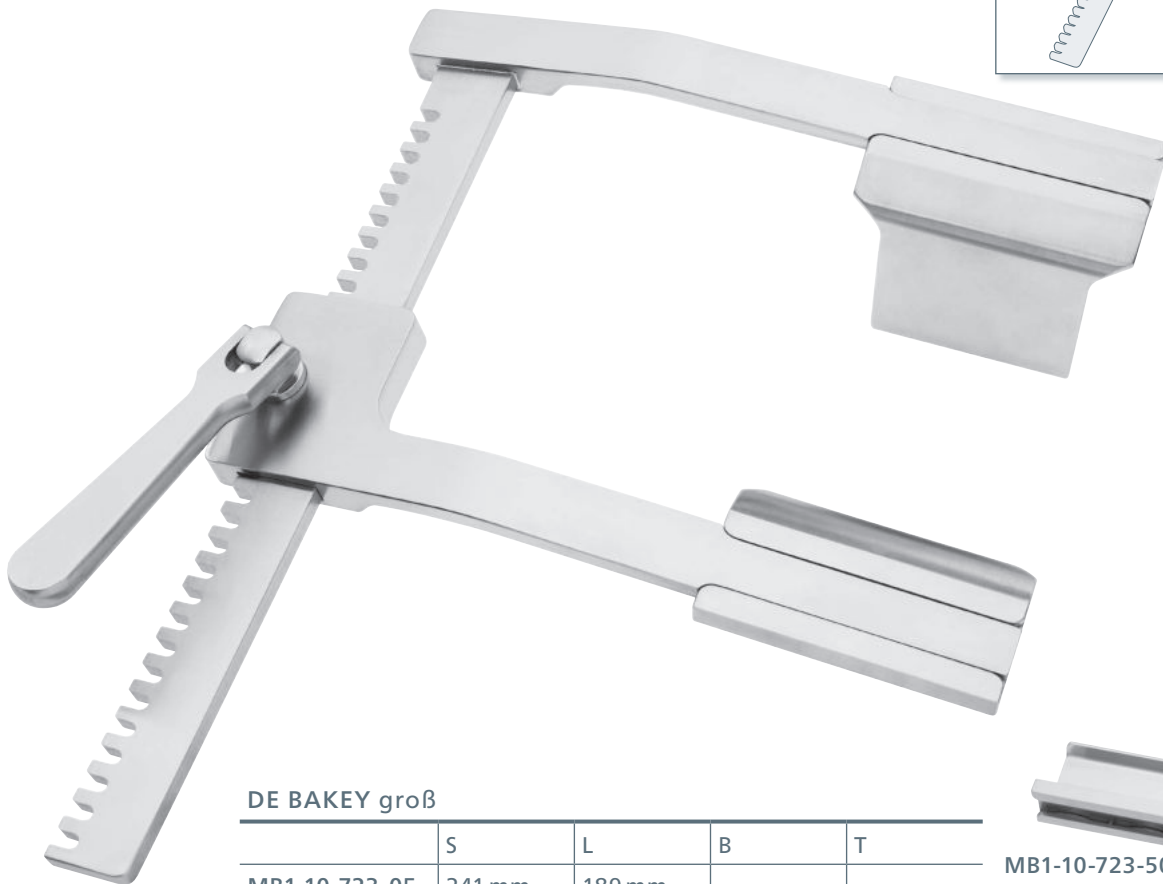
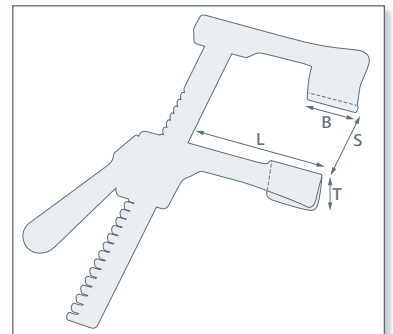


DE BAKEY klein

| | S | L | B | T |
|---------------|--------|--------|---|---|
| MB1-10-721-05 | 152 mm | 144 mm | | |

Inklusive je 1 Paar Seitenventile
Including 1 pair each of blades

| | | | | |
|---------------|--|--|-------|-------|
| MB1-10-721-30 | | | 30 mm | 30 mm |
| MB1-10-721-40 | | | 40 mm | 40 mm |
| MB1-10-721-50 | | | 50 mm | 50 mm |



DE BAKEY groß

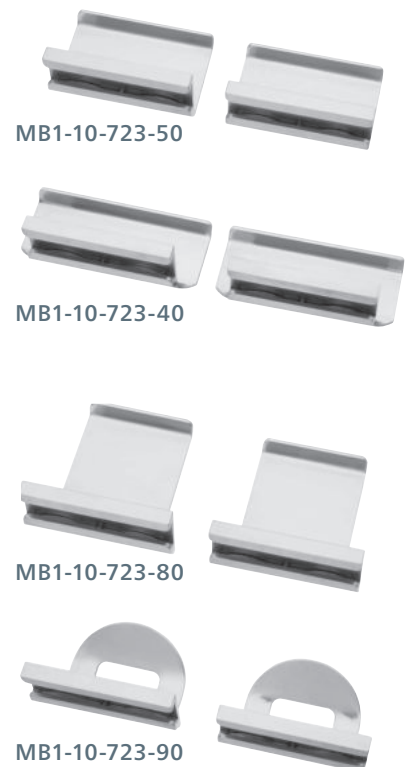
| | S | L | B | T |
|---------------|--------|--------|---|---|
| MB1-10-723-05 | 241 mm | 189 mm | | |

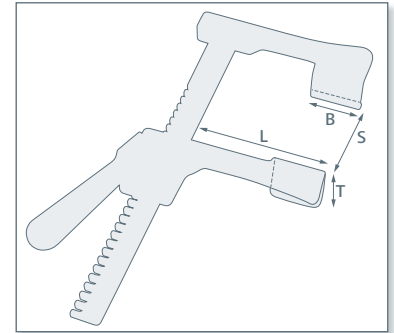
Inklusive je 1 Paar Seitenvalven
Including 1 pair each of blades

| | | | | |
|---------------|--|--|--------|-------|
| MB1-10-723-60 | | | 60 mm | 60 mm |
| MB1-10-723-50 | | | 80 mm | 50 mm |
| MB1-10-723-40 | | | 100 mm | 40 mm |

optional
optional

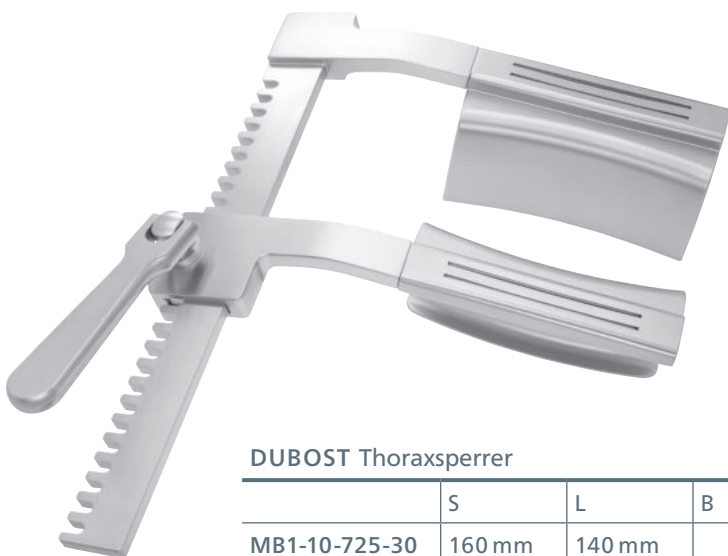
| | | | | |
|---------------|--|--|-------|-------|
| MB1-10-723-80 | | | 60 mm | 80 mm |
| MB1-10-723-90 | | | 66 mm | 50 mm |





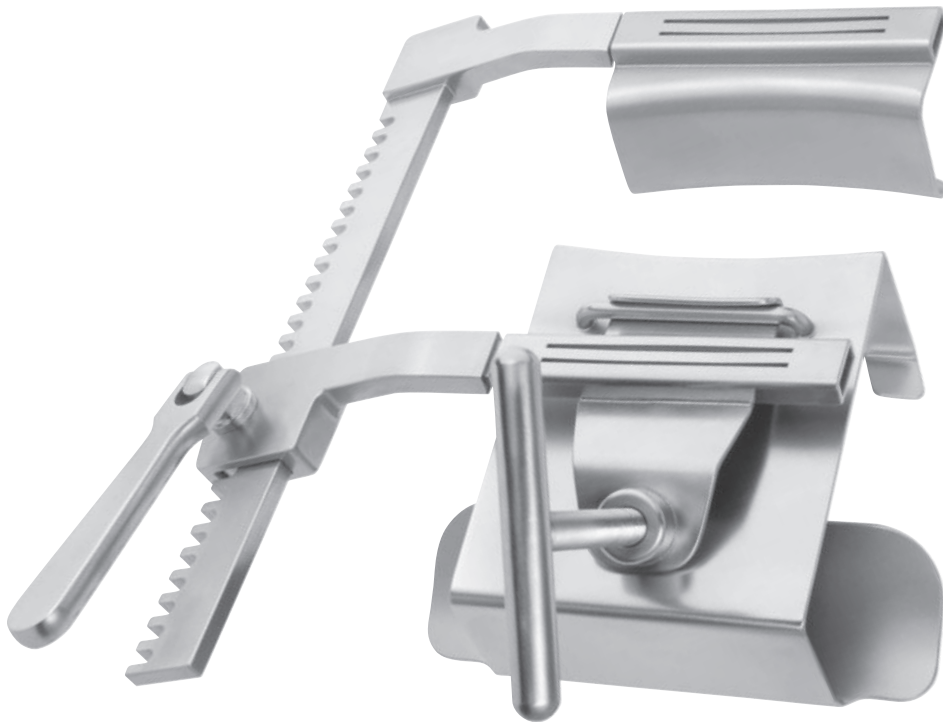
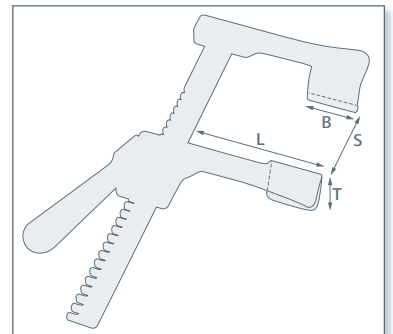
HARKEN Rippen- und Scapulaspreizer / Rib and scapula spreader

| | S | L | B | T |
|---|--------|--------|-------|-------|
| MB1-10-728-05 | 280 mm | 210 mm | 65 mm | 49 mm |
| Inklusive 1 Paar abnehmbarer Valven Including 1 pair each of detachable blades | | | | |
| MB1-10-728-15 | | | 50 mm | 47 mm |



DUBOST Thoraxsperrer

| | S | L | B | T |
|---|--------|--------|--------|-------|
| MB1-10-725-30 | 160 mm | 140 mm | | |
| Inklusive je 1 Paar auswechselbaren Valven Including 1 pair each of blades | | | | |
| MB1-10-725-40 | | | 100 mm | 30 mm |
| MB1-10-725-50 | | | 100 mm | 40 mm |
| MB1-10-725-60 | | | 100 mm | 50 mm |



MB1-10-727-10



MB1-10-727-50

DUBOST Thoraxsperrer

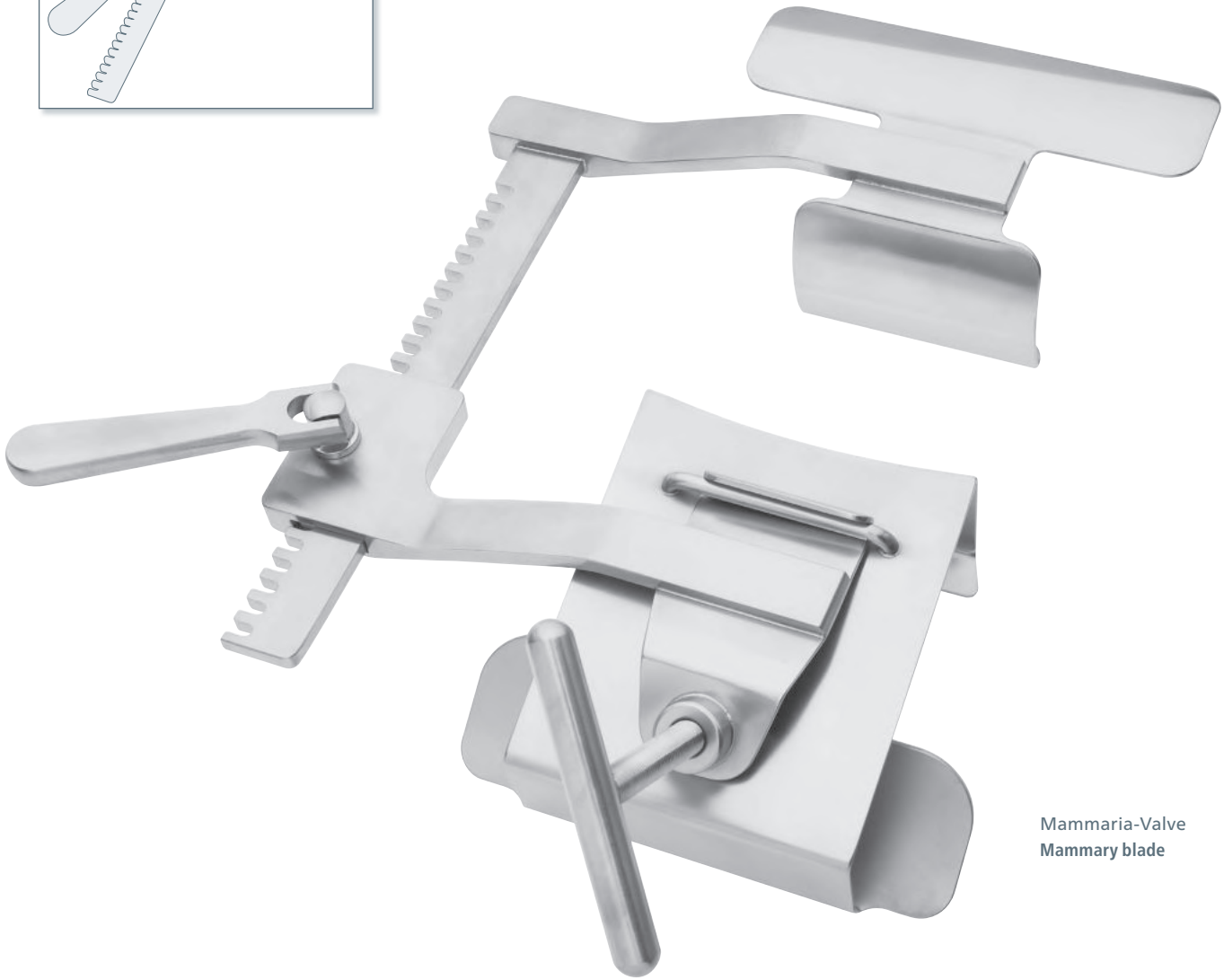
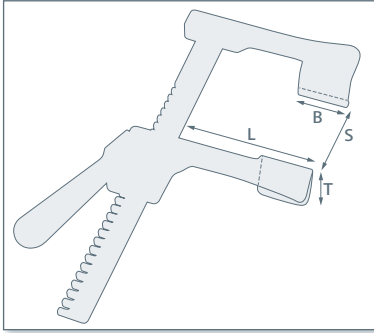
| | S | L | B | T |
|---------------|--------|--------|---|---|
| MB1-10-725-80 | 160 mm | 140 mm | | |

Inklusive je 1 Paar Seitenvalven
Including 1 pair each of blades

| | | | | |
|---------------|--|--|--------|-------|
| MB1-10-725-40 | | | 100 mm | 30 mm |
| MB1-10-725-50 | | | 100 mm | 40 mm |
| MB1-10-725-60 | | | 100 mm | 50 mm |

Modell inkl. Mammariavale (MB1-10-727-10) und Aufnahme (MB1-10-727-50)
Model incl. mammary blade (MB1-10-727-10) and fixation blade (MB1-10-727-50)

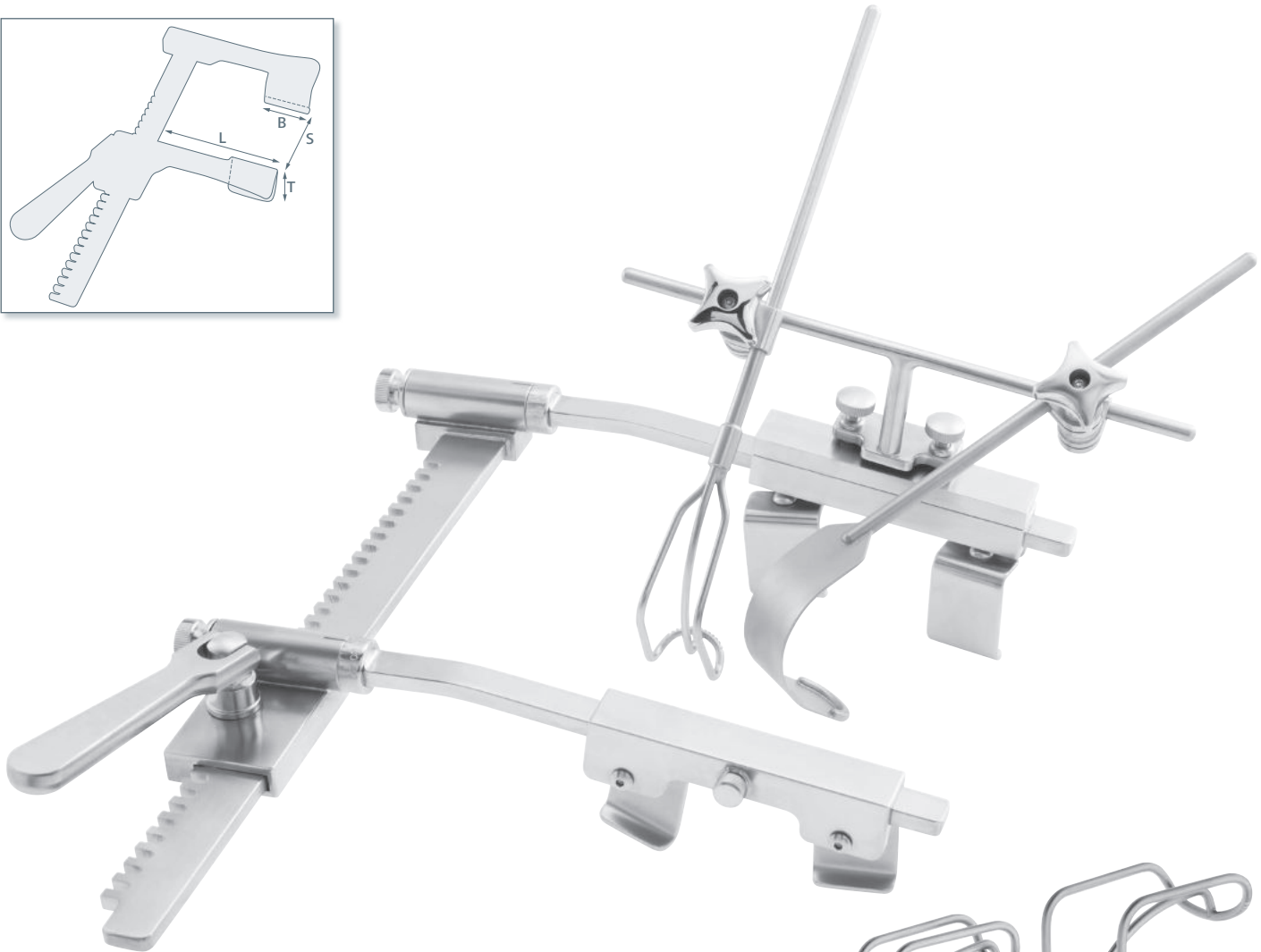
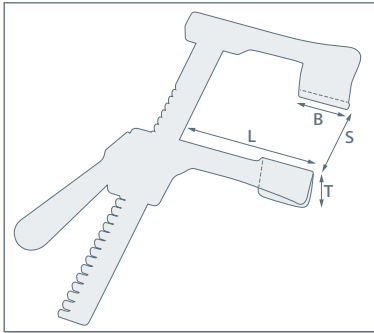




Mammaria-Valve
Mammary blade

IMA B-RETRACTOR

| | S | L | B | T |
|---------------|--------|--------|--------|------|
| MB1-10-727-05 | 134 mm | 195 mm | 150 mm | 50mm |



IMA RETRACTOR

MB1-10-729-06

komplett, Spreizweite: 230 mm
inklusive

- 1 Rahmen mit Armen (MB1-10-729-04)
- 1 Doppelaufsteckvalve (MB1-10-729-09)
- 1 Doppel-Aufsteckvalve mit Nute zur Befestigung des T-Gestells (MB1-10-729-07)
- 1 T-Stück (MB1-10-729-15)
- 2 Universalklemmen mit Verzahnung (MB1-10-729-30)
- 2 COOLEY Drahtvalven klein, 25 mm (MB1-10-729-35)
- 1 COOLEY Drahtvalve medium, 40 mm (MB1-10-729-40)
- 1 COOLEY Drahtvalve groß, 50 mm (MB1-10-729-45)
- 2 biegsame RIBBON Valven (MB1-10-729-50)

complete, spreading width: 230 mm

including:

- 1 Frame with arms (MB1-10-729-04)
- 1 Double fixation blade (MB1-10-729-09)
- 1 Double fixation blade with notch for fixation to T-rack (MB1-10-729-07)
- 1 T-clamp (MB1-10-729-15)
- 2 Universal clamps (MB1-10-729-30)
- 2 COOLEY small blade retractors, 25 mm (MB1-10-729-35)
- 1 COOLEY medium blade retractors, 40 mm (MB1-10-729-40)
- 1 COOLEY large blade retractors, 50 mm (MB1-10-729-45)
- 2 RIBBON malleable blades (MB1-10-729-50)



